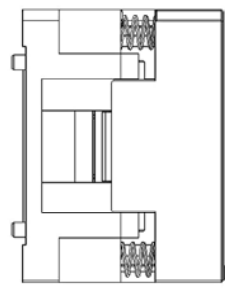
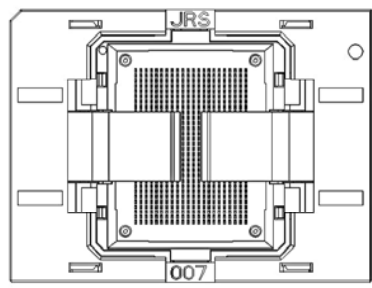
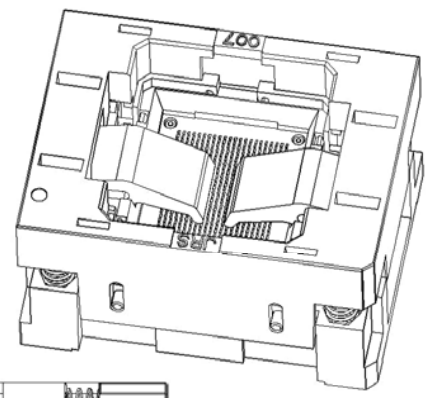
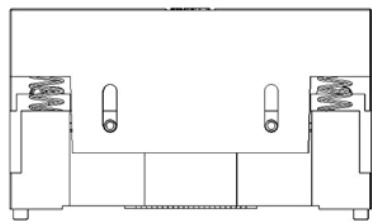


A



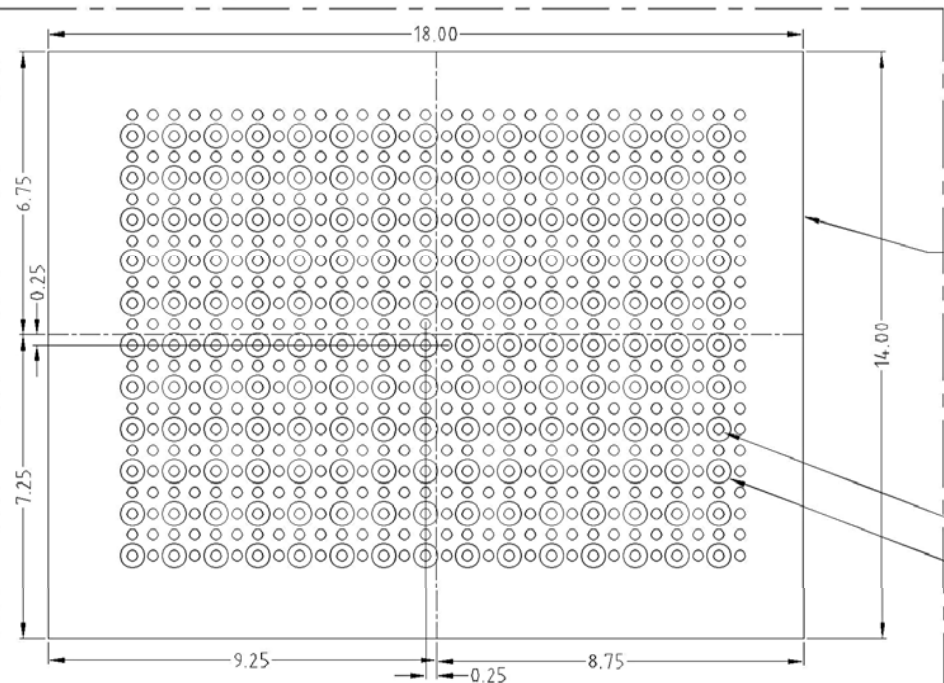
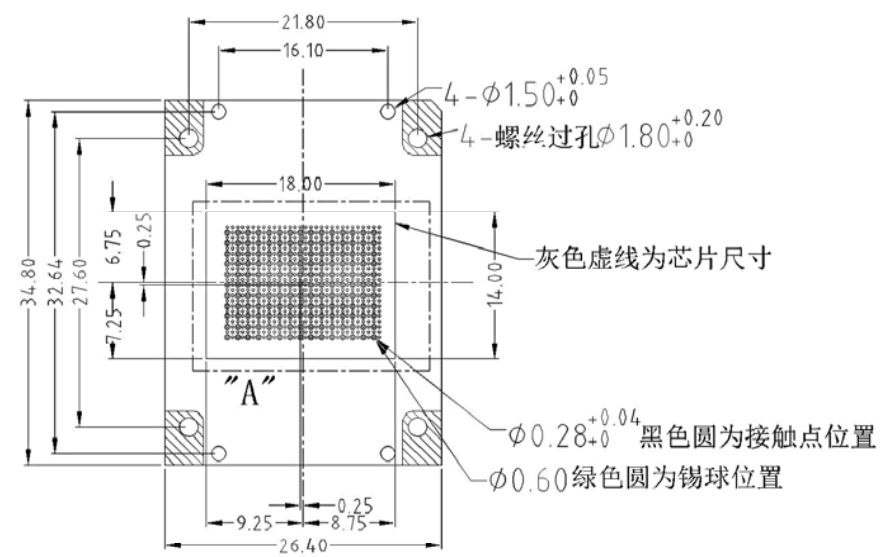
A

B

由 Autodesk 教育版产品制作

B

由 Autodesk 教育版产品制作



"A" SCALE:4/1

△ C				DWG NO		PART NAME	BGA152-1.0X165(14X18)
△ B				MATERIAL	SCALE	TITLE	BGA152-1.0X165(14X18)
△ A				QTY	1	UNIT	mm
REV	DESCRIPTION	DATE	CHECK	SHEET	1 OF 1	REV	01
APPLICATION				APPROVE	DATE		
ANGLES	FINISH	HOUZHI	ME	0.X:±0.1	CHECK	DATE	
ALL UNSPECIFIED CHAMFERS:0.2				TRIC	0.XX:±0.05	DEGK	DATE
							20140512



D